

# Ethernet ESD Protection

## Solution Products



CDSOT236-0504C

## Companion Products



PT61020EL  
Quad Transformer

## Design Kit



PN-DESIGNKIT-1

## Objective

Ethernet interfaces are 2 V digital signals operating on a 125 MHz clock. This solution provides ESD protection commonly required in indoor, short-cable applications where ESD is the primary threat.

## Solution

2 TVS Diode Arrays: CDSOT236-0504C

## Compliance

IEC 61000-4-2 Level 4 (8 kV / 15 kV)

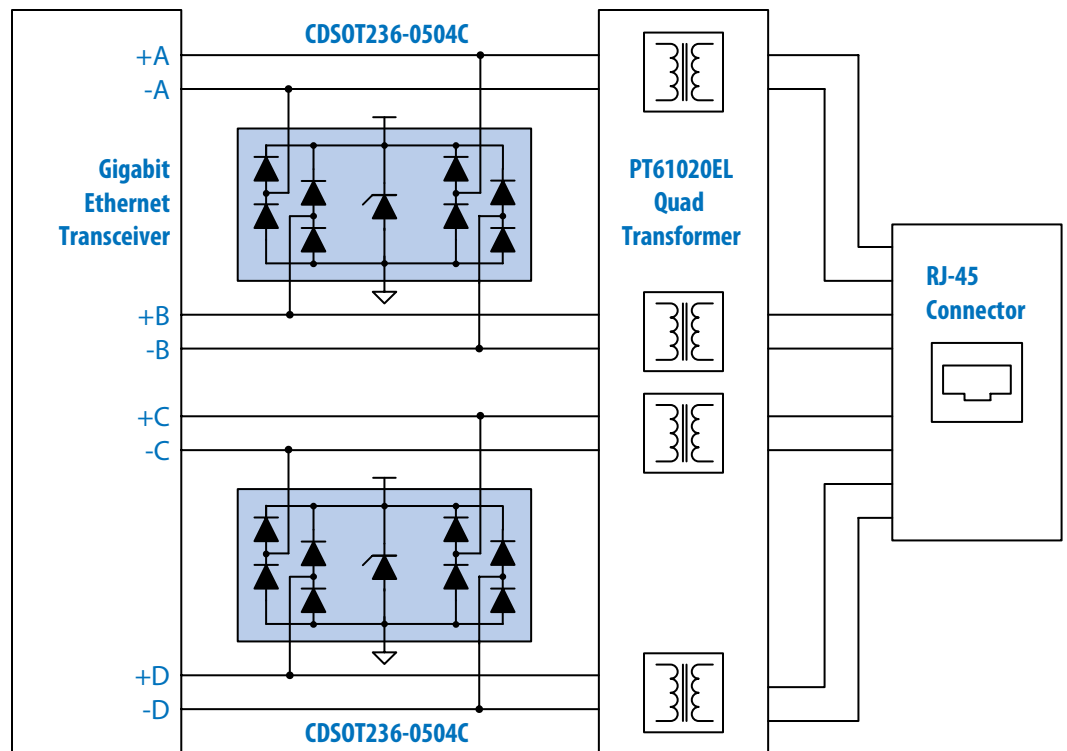
## Alternate Recommendations

*Other PortNote<sup>®</sup> solutions:*

- Ethernet - Power Contact and Surge Protection
- Ethernet - 10/100 Power over Ethernet (PoE)

## Benefit

This solution provides ESD protection without impairing the Ethernet signal.



*The schematic above illustrates the application protection and does not constitute the complete circuit design. Customers should verify actual device performance in their specific applications.*