

DisplayPort 1.2

ESD & Overcurrent Protection

Bourns[®] PortNote[®] solutions provide protection recommendations for typical port threats.

Solution Products



CDDFN10-0524P



CDSOT236-0504LC



MF-PSMF075X-2

Objective

DisplayPort is a royalty-free alternative to HDMI. DisplayPort 1.2 uses 3.3 V differential digital signals that support 1, 2, or 4 differential data pairs (lanes) in a main link. Each lane can operate up to 540 Mhz and deliver 4.32 Gbit/s. This solution provides DisplayPort interface protection from ESD damage and short circuits typically due to cables being plugged and unplugged frequently.

Solution

- 2 TVS Diode Arrays: CDDFN10-0524P
- 1 TVS Diode Array: CDSOT236-0504LC
- 1 Multifuse[®] PPTC Resettable Fuse: MF-PSMF075X-2

Compliance

IEC 61000-4-2 Level 4 (8 kV / 15 kV)

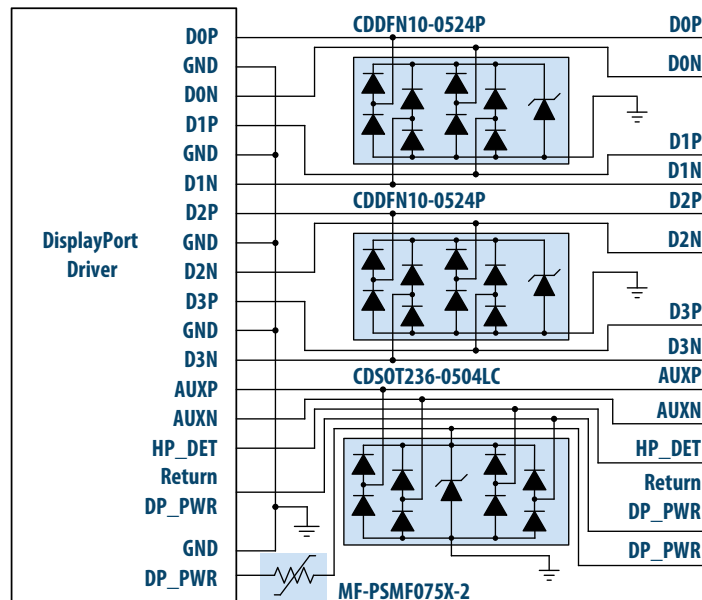
Alternate Recommendations

Other PortNote[®] Solutions:

- [HDMI 1.4 - ESD & Overcurrent Protection](#)

Benefit

This solution provides IEC 61000 Level 4 ESD protection without impairing the DisplayPort signal.



The schematic shown here illustrates the application protection and does not constitute the complete circuit design. Customers should verify actual device performance in their specific applications.

Request Sample

To order samples, click on the "Request Sample" button.

www.bourns.com

BOURNS[®]

Americas: Tel +1-951-781-5500
Email americus@bourns.com

EMEA: Tel +36 88 520 390
Email eurocus@bourns.com

Asia-Pacific: Tel +886-2 256 241 17
Email asiacus@bourns.com