

## USB 2.0

### ESD & Overcurrent Protection

Bourns<sup>®</sup> PortNote<sup>®</sup> solutions provide protection recommendations for typical port threats.

#### Solution Products



MF-NSMF075-2



CG0603MLC-05LE

#### Objective

Universal Serial Bus (USB) 2.0 ports provide up to 480 Mbps data transfer rates and 5 V power at up to 500 mA. As a hot-pluggable interface, it typically requires protection against ESD and short circuits. This solution provides this protection.

#### Solution

- 1 Multifuse<sup>®</sup> PPTC: MF-NSMF075-2
- 3 ChipGuard<sup>®</sup> ESD Suppressors: CG0603MLC-05LE

#### Compliance

- USB 2.0
- UL60950
- IEC 61000-4-2 Level 4 (8 kV / 15 kV)

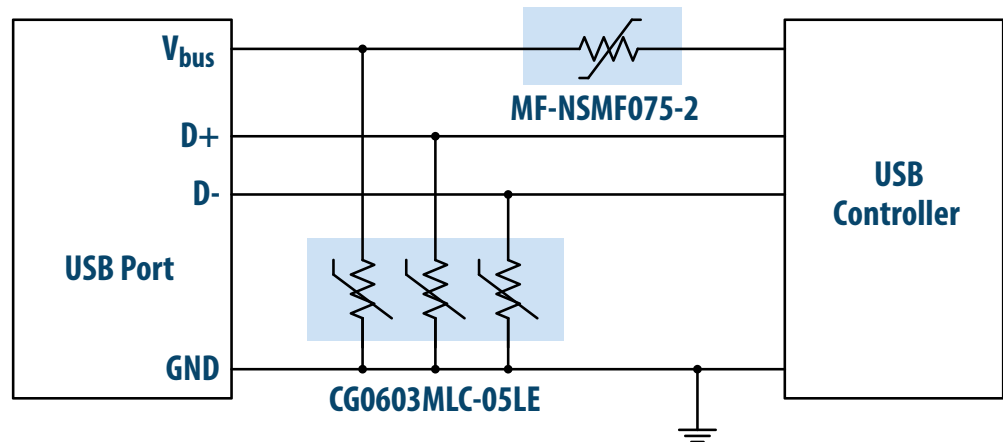
#### Alternate Recommendations

Other PortNote<sup>®</sup> Solutions:

- USB: USB 3.0 - ESD & Overcurrent Protection

#### Benefit

This solution provides USB 2.0 ports with compatible protection without impairing the transmission of power or data.



The schematic above illustrates the application protection and does not constitute the complete circuit design. Customers should verify actual device performance in their specific applications.

Request Sample 

To order samples, click on the "Request Sample" button.

[www.bourns.com](http://www.bourns.com)

# BOURNS<sup>®</sup>

Americas: Tel +1-951 781-5500  
Email [americus@bourns.com](mailto:americus@bourns.com)

EMEA: Tel +36 88 520 390  
Email [eurocus@bourns.com](mailto:eurocus@bourns.com)

Asia-Pacific: Tel +886-2 256 241 17  
Email [asiacus@bourns.com](mailto:asiacus@bourns.com)