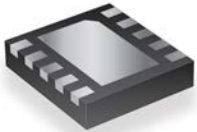


Ethernet

10/100 Base-T Power over Ethernet (PoE) PD Unit Protection

Bourns® PortNote® solutions provide protection recommendations for typical port threats.

Solution Products



CDDFN10-3304NA



CD-MBL106SL



SMBJ64A



SM51108PEL

Request Sample 

To order samples, click on the
"Request Sample" button.

Objective

10/100 Base-T Power over Ethernet (PoE) interfaces combine data and DC power to provide remote power to a Powered Device (PD). This solution provides ESD and overvoltage protection for the PD unit.

Solution

- 1 TVS Diode Array: CDDFN10-3304NA
- 2 Bridge Rectifiers: CD-MBL106SL
- 1 TVS Diode: SMBJ64A
- 1 Transformer: SM51108PEL

Compliance

- IEEE 802.3af Types 1 & 2
- IEC 61000-4-2 Level 4 (8 kV / 15 kV)

Alternate Recommendations

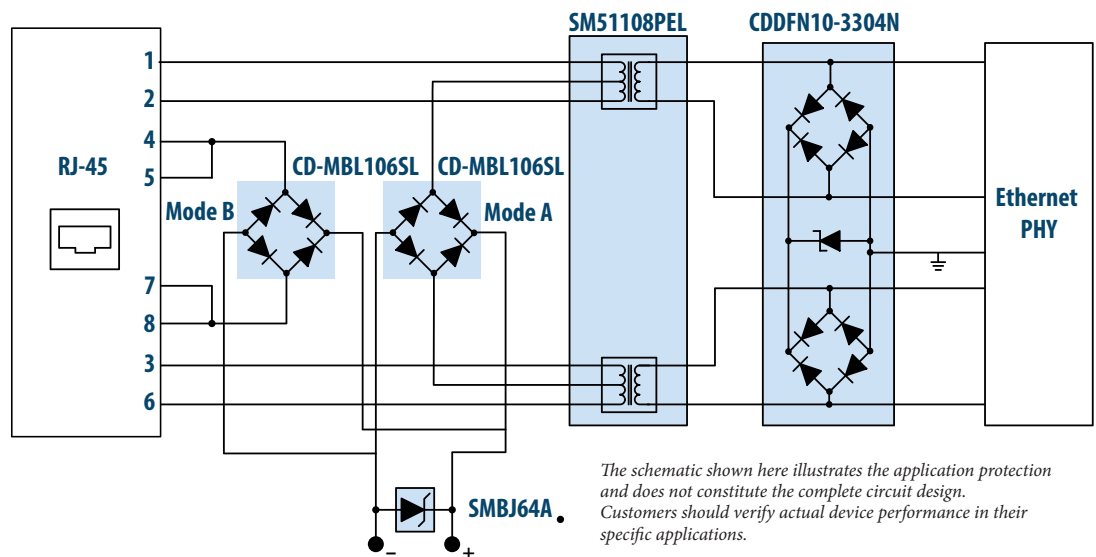
Other PortNote® Solutions:

- Ethernet - ESD Protection
- Ethernet - 10/100 Base-T Power over Ethernet (PoE) PSE Unit Protection
- Ethernet - Quad Port Power over Ethernet (PoE++) PSE Unit Protection

Contact Bourns for PoE++ or Gbit PoE port solutions.

Benefit

This solution provides ESD protection for 10/100 Base-T PoE PD devices without impairing the Ethernet signal.



The schematic shown here illustrates the application protection and does not constitute the complete circuit design. Customers should verify actual device performance in their specific applications.

www.bourns.com

BOURNS[®]

Americas: Tel +1-951 781-5500
Email americus@bourns.com

EMEA: Tel +36 88 520 390
Email eurocus@bourns.com

Asia-Pacific: Tel +886-2 256 241 17
Email asiacus@bourns.com