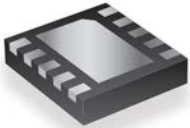


Ethernet

10/100 Base-T Power over Ethernet (PoE) PSE Unit Protection

Bourns[®] PortNote[®] solutions provide protection recommendations for typical port threats.

Solution Products



CDDFN10-3304NA



SM51108PEL

Objective

10/100 Base-T Power over Ethernet (PoE) interfaces combine data and DC power to provide remote power to a Powered Device (PD). This solution provides ESD and overvoltage protection for the Powered-Sourcing Equipment (PSE) unit.

Solution

1 TVS Diode Array: CDDFN10-3304NA

1 Transformer: SM51108PEL

Compliance

IEEE 802.3af Types 1 & 2

IEC 61000-4-2 Level 4 (8 kV / 15 kV)

Alternate Recommendations

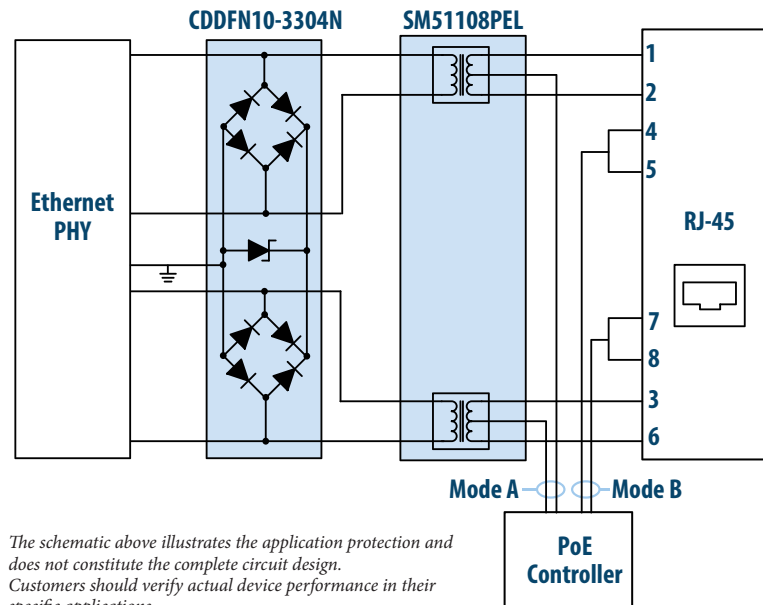
Other PortNote[®] Solutions:

- Ethernet - ESD Protection
- Ethernet - 10/100 Base-T Power over Ethernet (PoE) PD Unit Protection
- Ethernet - Quad Port Power over Ethernet (PoE++) PSE Unit Protection

Contact Bourns for PoE++ or Gbit PoE port solutions.

Benefit

This solution provides ESD and overvoltage protection for 10/100 Base-T PoE PSE devices without impairing the Ethernet signal.



The schematic above illustrates the application protection and does not constitute the complete circuit design. Customers should verify actual device performance in their specific applications.

Request Sample 

To order samples, click on the "Request Sample" button.

www.bourns.com

BOURNS[®]

Americas: Tel +1-951-781-5500
Email americus@bourns.com

EMEA: Tel +36 88 520 390
Email eurocus@bourns.com

Asia-Pacific: Tel +886-2 256 241 17
Email asiacus@bourns.com