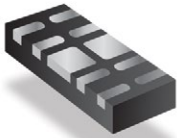


HDMI[®] Port

HDMI 1.3 - ESD & Overcurrent Protection

Bourns[®] PortNote[®] solutions provide protection recommendations for typical port threats.

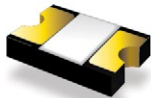
Solution Products



[CDDFN10-0524P](#)



[CDSOT236-0504LC](#)



[MF-ASML035/6](#)

Objective

HDMI 1.3 interfaces are 3.3 V differential digital signals with single-link bandwidths up to 340 MHz (10.2 Gbit/s). As usage of HDMI ports increases, HDMI ports face a growing threat of ESD damage.

Solution

- 2 TVS Diode Arrays: [CDDFN10-0524P](#)
- 1 TVS Diode Array: [CDSOT236-0504LC](#)
- 1 Multifuse[®] PPTC: [MF-ASML035/6](#)

Compliance

IEC 61000-4-2 Level 4 (8 kV / 15 kV)

Alternate Recommendations

Other PortNote[®] Solutions:

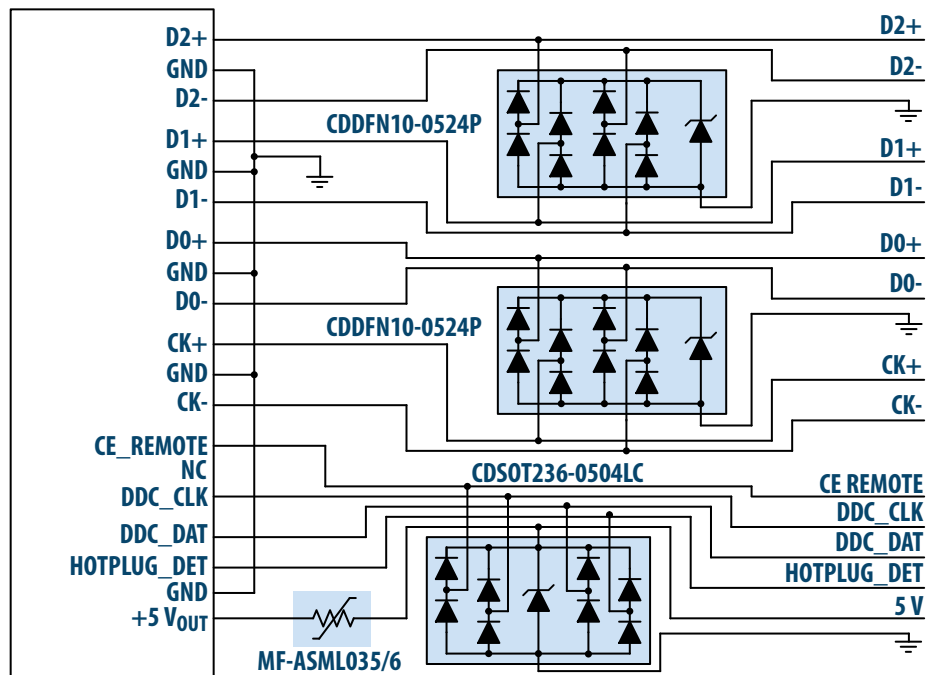
- [HDMI: HDMI 1.4 - ESD & Overcurrent Protection](#)

Other Multifuse[®] PPTC Resettable Fuse Solutions:

- [MF-PSHT035KX](#)

Benefit

This solution provides IEC 61000 Level 4 ESD protection without impairing the HDMI signal.



The schematic above illustrates the application protection and does not constitute the complete circuit design. Customers should verify actual device performance in their specific applications.

www.bourns.com

BOURNS[®]

Americas: Tel +1-951-781-5500
Email americus@bourns.com

EMEA: Tel +36 88 885 877
Email eurocus@bourns.com

Asia-Pacific: Tel +886-2 256 241 17
Email asiacus@bourns.com