

HDMI[®] Port

HDMI 1.4 - ESD & Overcurrent Protection

Bourns[®] PortNote[®] solutions provide protection recommendations for typical port threats.

Solution Products



CG0402MLU-05G



MF-FSMF020X-2

Objective

HDMI 1.4 is a hot-pluggable interface combining video, audio & Ethernet signals. Voltages are 5 V or lower and the bandwidth is 340 MHz. This solution provides HDMI 1.4 ports with protection against ESD and short circuits without impairing the transmission of power or data

Solution

9 ChipGuard[®] ESD Suppressors:

CG0402MLU-05G

1 Multifuse[®] PTC Resettable Fuse:

MF-FSMF020X-2

Compliance

IEC 61000-4-2 Level 4 (8 kV / 15 kV)

Alternate Recommendations

Other PortNote[®] Solutions:

• HDMI: HDMI 1.3 - ESD & Overcurrent Protection

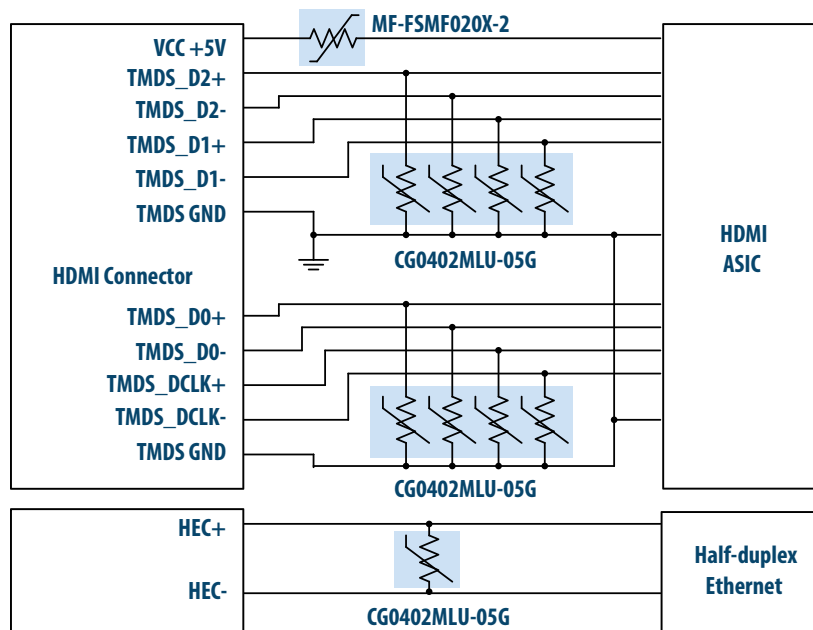
Other ChipGuard[®] Protectors:

CG0603MLU-05E, CG0402MLC-05LGA

CG0603MLC-05LEA

Benefit

This solution provides IEC 61000 Level 4 ESD protection without impairing the HDMI signal.



The schematic above illustrates the application protection and does not constitute the complete circuit design. Customers should verify actual device performance in their specific applications.

www.bourns.com

BOURNS[®]

Americas: Tel +1-951 781-5500
Email americus@bourns.com

EMEA: Tel +36 88 520 390
Email eurocus@bourns.com

Asia-Pacific: Tel +886-2 256 241 17
Email asiacus@bourns.com