

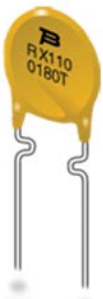
# ISDN

Bourns® PortNote® solutions provide protection recommendations for typical port threats.

## Solution Products



TISP4145M3BJR-S



MF-RX018/250

## Objective

Integrated Services Digital Network (ISDN) simultaneously transmits voice, video, and data over public switched telephone network circuits. This solution protects ISDN circuit interfaces against surge and power contact threats.

## Solution

4 Thyristors: TISP4145M3BJR-S

4 Multifuse® PTCs: MF-RX018/250

## Compliance

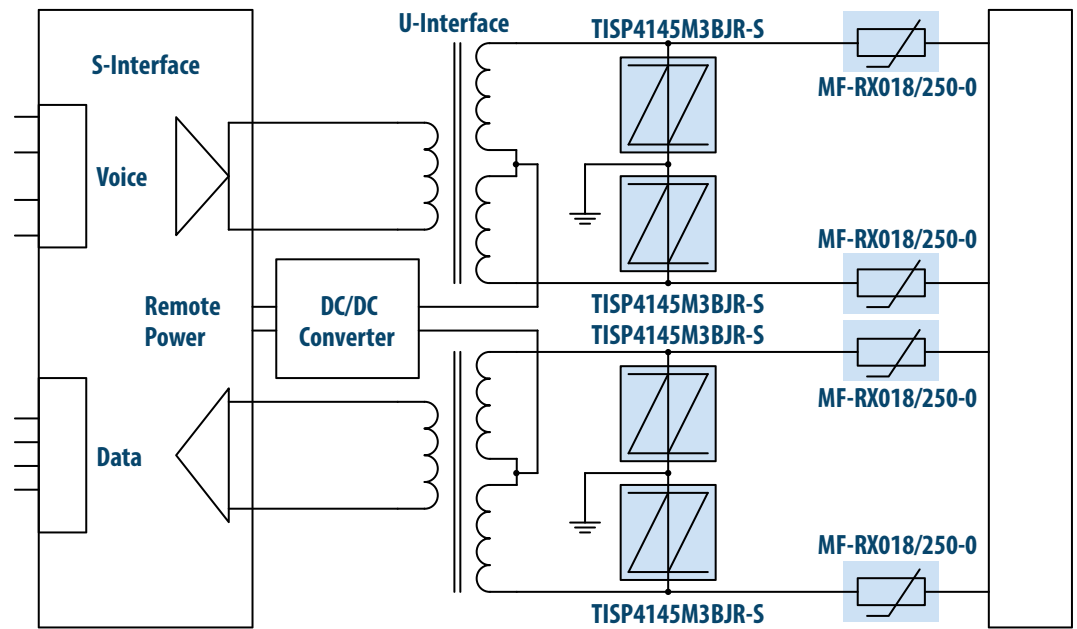
ITU-T K.21

## Alternate Recommendations

For GR-1089-CORE designs, the TISP4145H3 is recommended.

## Benefit

This solution provides a high level of protection within a small amount of PCB area.



The schematic above illustrates the application protection and does not constitute the complete circuit design. Customers should verify actual device performance in their specific applications.

Request Sample 

To order samples, click on the "Request Sample" button.

[www.bourns.com](http://www.bourns.com)

**BOURNS<sup>®</sup>**

Americas: Tel +1-951 781-5500  
Email [americus@bourns.com](mailto:americus@bourns.com)

EMEA: Tel +36 88 520 390  
Email [eurocus@bourns.com](mailto:eurocus@bourns.com)

Asia-Pacific: Tel +886-2 256 241 17  
Email [asiacus@bourns.com](mailto:asiacus@bourns.com)