

RJ11

Fax/Modem (FXO)

Bourns[®] PortNote[®] solutions provide protection recommendations for typical port threats.

Solution Products



TISP4350T3BJR-S



CD-MBL106S



SF-3812TM125T-2

Objective

In telecommunications, foreign exchange office (FXO) designates a telephone signaling interface that receives plain old telephone service (POTS). This solution protects those interfaces against surge and power contact threats.

Solution

- 1 Thyristor: TISP4350T3BJR-S
- 1 Diode Bridge: CD-MBL106S
- 1 SinglFuse™ Telefuse™: SF-3812TM125T-2

Compliance

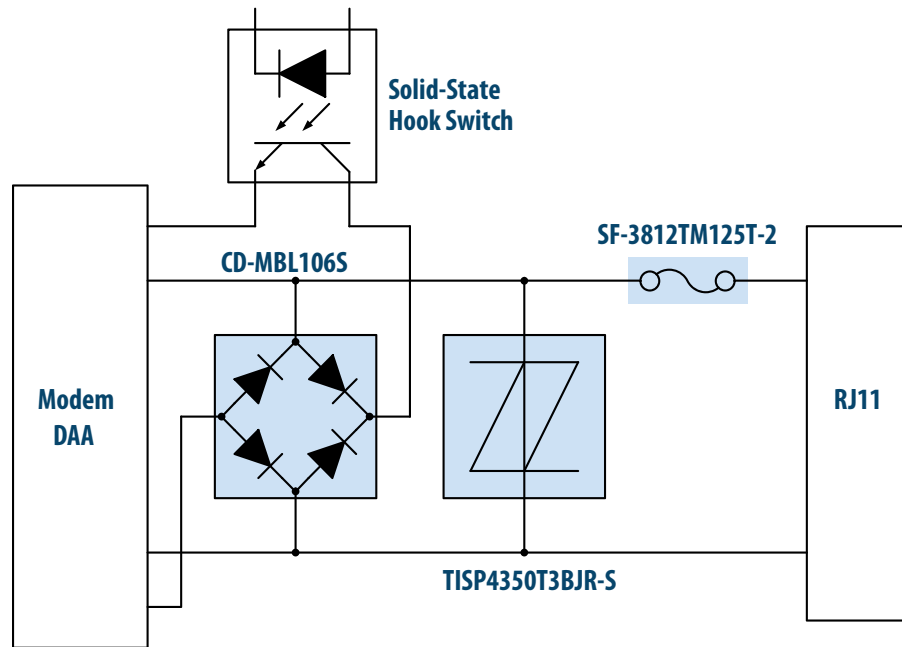
ITU-T K.21, IEC 60950, UL 60950 and TIA-968A

Alternate Recommendations

The TISP4310T3 should be considered for some "B" type ringers or for ITU-T Enhanced testing; consult with your local Bourns representative.

Benefit

This solution provides a high level of protection within a small amount of PCB area.



The schematic above illustrates the application protection and does not constitute the complete circuit design. Customers should verify actual device performance in their specific applications.

Request Sample

To order samples, click on the "Request Sample" button.

www.bourns.com

BOURNS[®]

Americas: Tel +1-951-781-5500
Email americus@bourns.com

EMEA: Tel +36 88 885 877
Email eurocus@bourns.com

Asia-Pacific: Tel +886-2 256 241 17
Email asiacus@bourns.com