

NEW PRODUCT BRIEF

Bourns® PF-N Series Telecom Power Fuses

POWRFuse™ High-Power Fuses

INTRODUCTION

Bourns® POWrFuse™ High-Power Fuses are industrial fuse links designed to meet UL 248 and IEC 60269 standards. The new POWrFuse™ PF-N model series is designed to meet the UL 248-1 standard to protect telecom network systems under extreme ambient temperature, high-cycling, and low-level fault current conditions.

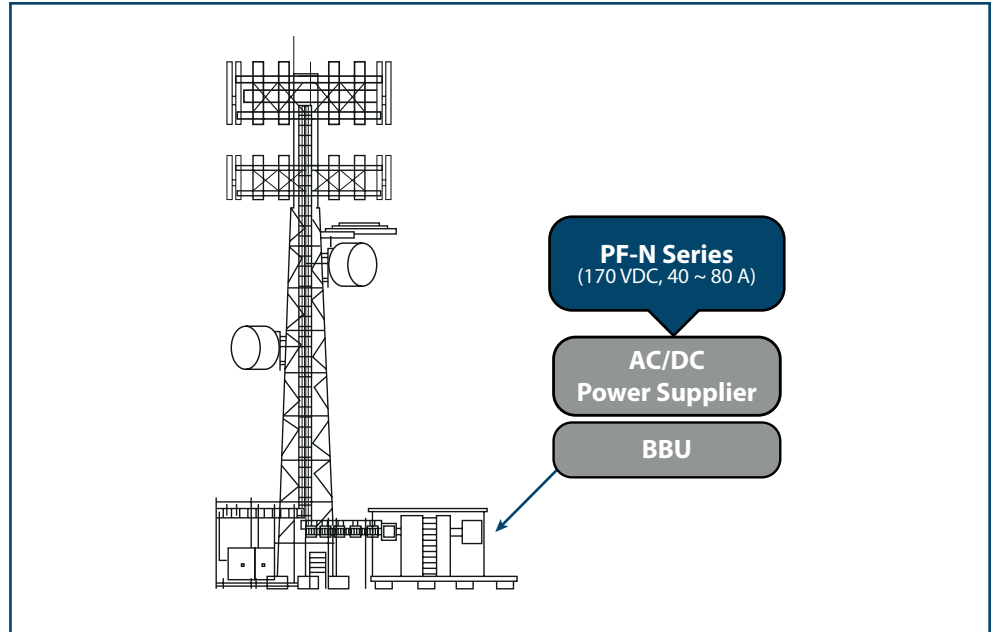
The POWrFuse™ PF-N model series is housed in a compact package (14.6 mm dia. x 22.3 mm). Its high voltage rating is suitable for common telecom 48 VDC as well as AC systems.

FEATURES

- UL 248-1 compliant
- Fast-acting protection under fault current
- Low resistance and power loss
- Up to 100 kA interrupting rating
- Two PCB mounting options
- Temperature range: -55 to +125 °C
- RoHS compliant*
- Halogen free**

BENEFITS

- Global quality with local services
- The standard compliance and robust interrupting rating ensure safety and quality as well as minimal service calls, hence minimizing the Total Cost of Ownership (TCO)
- Complete solution with Bourns® high current rating overvoltage protectors is listed under "MORE INFORMATION"



APPLICATIONS

- Telecom networks
- DC Power Distribution Systems
- AC Power Distribution Systems

MORE INFORMATION

- [AC Power SPD: 1210 Series](#)
- [DC Power SPD: 1320 Series](#)
- [Power TVS \(PTVS\) Diodes](#)
- [High Energy MOVs](#)
- [High Current GDTs](#)
- [Stacked Model 2033 GDT](#)
- [Custom high current chokes](#)
- [High Current SinglFuse™ SMD Fuses: SF-3812 and SF-2923 Series](#)

HOW TO ORDER

POWRFuse™ Product Designator **PF - N xx - xx**

Series Name _____

Mounting Type _____

T2 = PCB Mounting/Type 2

T5 = PCB Mounting/Type 5

Rated Current _____

40-80 = 40 - 80 A

PACKAGING SPECIFICATIONS

PF-NT2 Series	10 pcs./box
PF-NT5 Series	10 pcs./box

*RoHS Directive 2015/863, Mar 31, 2015 and Annex.
 ** Bourns considers a product to be "halogen free" if (a) the Bromine (Br) content is 900 ppm or less; (b) the Chlorine (Cl) content is 900 ppm or less; and (c) the total Bromine (Br) and Chlorine (Cl) content is 1500 ppm or less.

NEW PRODUCT BRIEF



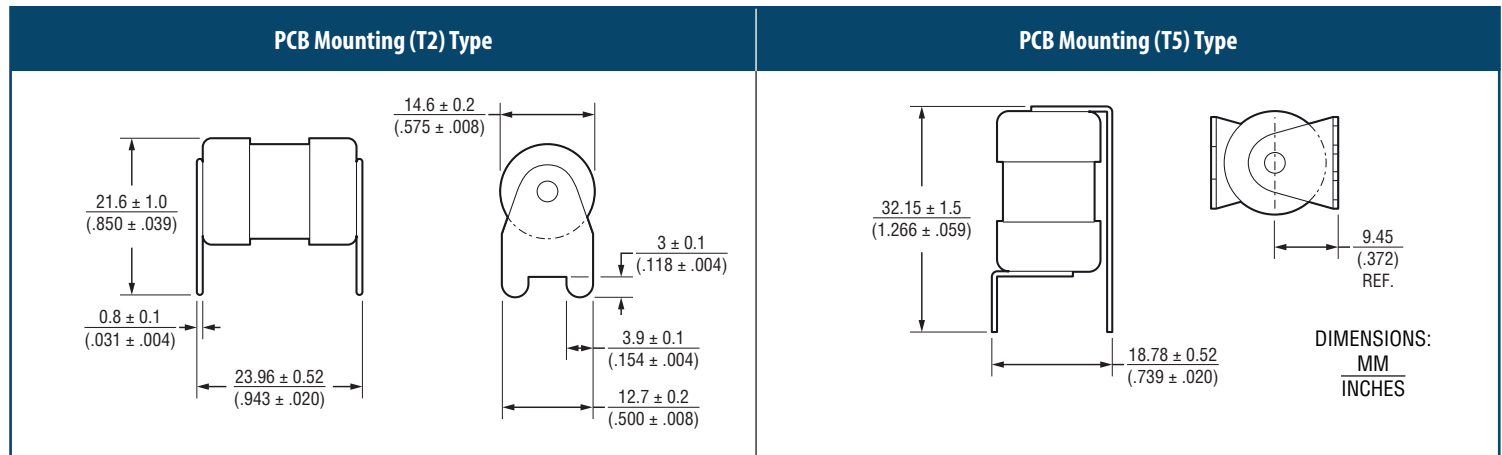
Bourns® PF-N Series Telecom Power Fuses

POWRfuse™ High-Power Fuses

ELECTRICAL CHARACTERISTICS

Series	Rated Current	Rated Voltage	Interrupting Rating	c  US	PCB Mounting	
					T2 Type	T5 Type
PF-N	40 – 80 A	170 VDC	100 kA @170 VDC	✓	✓	✓

PRODUCT DIMENSIONS



www.bourns.com

Americas: Tel +1-951 781-5500
Email americus@bourns.com

EMEA: Tel +36 88 885 877
Email eurocus@bourns.com



Asia-Pacific: Tel +886-2 256 241 17
Email asiacus@bourns.com

COPYRIGHT © 2022 • BOURNS, INC. • 06/22 • e/PF2211
"Bourns" is a registered trademark of Bourns, Inc. in the U.S. and other countries.
"POWRfuse" is a trademark of Bourns, Inc. in the U.S. and other countries.