

NEW PRODUCT BRIEF

Bourns® Model BPS160 Pressure Sensors



INTRODUCTION

Bourns® Model BPS160 Pressure Sensors provide an advanced analog sensing solution that meets the demanding requirements of industrial, low to medium risk medical* and consumer market applications. These new sensors offer additional design flexibility for use in digital systems. Offering superior performance in ultra-low pressure sensing applications, Model BPS160 pressure sensors also have a compensated plug-and-play feature that helps reduce development time. Bourns designed this family of environmental sensors to give customers the exceptional quality, performance, and reliability they need for their next-generation applications.

MARKET SEGMENT OVERVIEW

Sensors are becoming increasingly vital as information collection components in a large variety of today's designs. Features such as self-diagnostics, network compatibility, small form factor and self-calibration are considered essential features in pressure sensors. In addition, the ability to deliver "real-time" data analytics is a driving factor in the evolution of sensors and sensor networks. Dependable sensors that can be used in every type of pressure and environment are in high demand for a myriad of applications. High precision sensors with ultra-low-pressure ranges are being required more and more across multiple market segments.

FEATURES

- Small Surface Mount Footprint
- Precise Gauge Pressure
- Enhanced Linearity
- Dual Horizontal Port Flexibility
- RoHS Compliant*

BENEFITS

- Superior performance in ultra-low pressure sensing applications
- Additional design flexibility - for use in digital systems
- Compensated plug and play reduces development time
- World-class, knowledgeable technical support
- Backed by Bourns' global supply chain

APPLICATIONS

- Medical Equipment (low to medium risk)**
- White Goods
- Industrial P/I
- Process Control

HOW TO ORDER

BPS160 - A G 001B - 2 D G

Model Series _____
10 mm Analog Pressure Sensor

Media Compatibility _____
A = Air/Gas

Reference _____
G = Gauge
N = Negative (14.5 psi only)
P = Dual Polarity (14.5 psi only)

Pressure _____
001B = 14.5 psi
002B = 29 psi
007B = 101.5 psi
010B = 145 psi

Terminal Pins _____
2 = Surface Mount Terminals

Port _____
D = Single Vertical Port

Packaging Designator _____
G = 600 pcs. per 13-inch reel (standard)
H = 100 pcs. per 7-inch reel

*RoHS Directive 2015/863, Mar 31, 2015 and Annex.

**Bourns® products have not been designed for and are not intended for use in "lifesaving," "life-critical" or "life-sustaining" applications nor any other applications where failure or malfunction of the Bourns® product may result in personal injury or death. See Legal Disclaimer Notice:
<http://www.bourns.com/docs/legal/disclaimer.pdf>.

NEW PRODUCT BRIEF

Bourns® Model BPS160 Pressure Sensors

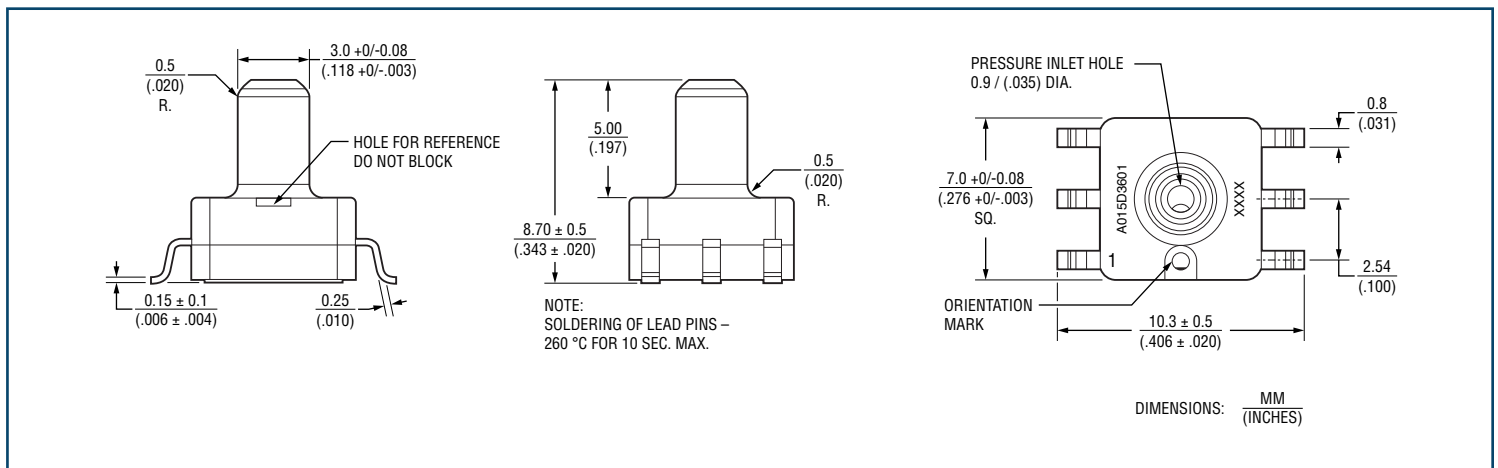


PRODUCT CHARACTERISTICS

Series	Photo	Output	Pressure Type	DAC Resolution	Range	Supply Voltage VDC	Operating Temperature	Total Error Band	Accuracy	Lifetime Drift	Port Style	Terminal
BPS160		Amplified Analog	Gauge Pressure	13 bit	-14.5 to 145 psi	4.75 to 5.5	-20 °C to +100 °C	±2.5 % FS	±2.5 % FS	±0.5 % FS	Single, Vertical	SMD

For full characteristics, see data sheet

PRODUCT DIMENSIONS



www.bourns.com

Americas: Tel +1-951 781-5500
Email americus@bourns.com

EMEA: Tel +36 88 885 877
Email eurocus@bourns.com

BOURNS®

Asia-Pacific: Tel +886-2 256 241 17
Email asiacus@bourns.com

Mexico: Tel +52 614 478 0400
Email mexicus@bourns.com