

NEW PRODUCT BRIEF

Bourns® Model BPS170 Pressure Sensors



INTRODUCTION

The Bourns® Model BPS170 Pressure Sensor offers a digital data collection solution that is ideal for demanding applications in the industrial, low to medium risk medical* and consumer markets. Offering accurate gauge pressure measurement in a compact surface mount package, this new pressure sensor family delivers superior performance in ultra-low pressure sensing applications and increases digital system design flexibility. Bourns designed these environmental sensors to provide the highest quality, performance, and reliability.

MARKET SEGMENT OVERVIEW

Sensors have become critical components necessary for collecting important system information in a broad range of applications. Features such as self-diagnostics, network compatibility, small form factor and self-calibration are considered essential in best-in-class sensor solutions. "Real time" data analytics are driving the evolution of sensors and sensor networks. Dependable, high precision and ultra-low pressure range sensors that collect all types of pressure and environmental data are needed in a myriad of applications across multiple market segments.

FEATURES

- Compact Surface Mount Package
- Accurate Gauge Pressure Measurement
- Improved Linearity
- Dual Horizontal Port
- RoHS Compliant*

BENEFITS

- Superior performance in ultra-low pressure sensing applications
- Increases digital system design flexibility
- Compensated plug and play reduces development time
- Bourns' world-class technical support
- Access to global supply chain

APPLICATIONS

- Medical Equipment (low to medium risk)**
- White Goods
- Industrial P/I
- Process Control

**RoHS Directive 2015/863, Mar 31, 2015 and Annex.*

***Bourns® products have not been designed for and are not intended for use in "lifesaving," "life-critical" or "life-sustaining" applications nor any other applications where failure or malfunction of the Bourns® product may result in personal injury or death. See Legal Disclaimer Notice:
<http://www.bourns.com/docs/legal/disclaimer.pdf>.*

HOW TO ORDER


Model Series **BPS170 - A G 001B - 2 D G**
10 mm Digital Pressure Sensor
Media Compatibility _____
A = Air/Gas
Reference _____
G = Gauge
N = Negative (14.5 psi only)
P = Dual Polarity (14.5 psi only)
Pressure _____
001B = 14.5 psi
010B = 145 psi
Terminal Pins _____
2 = Surface Mount Terminals
Port _____
D = Single Vertical Port
Packaging Designator _____
G = 600 pcs. per 13-inch reel (standard)
H = 100 pcs. per 7-inch reel

NEW PRODUCT BRIEF

Bourns® Model BPS170 Pressure Sensors

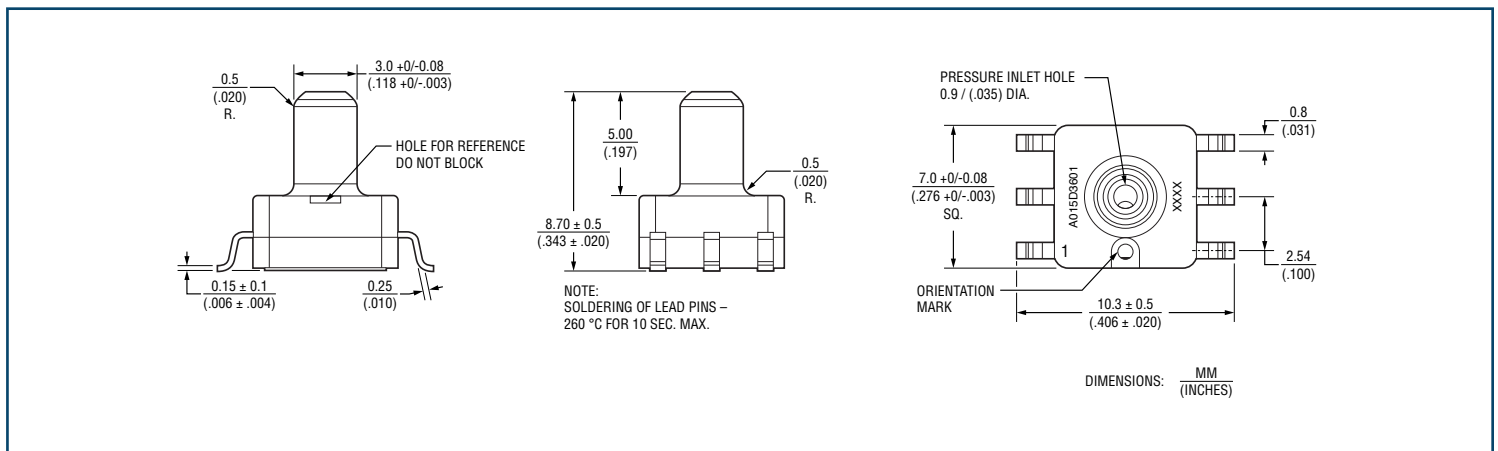


PRODUCT CHARACTERISTICS

Series	Photo	Output	Pressure Type	DAC Resolution	Range	Supply Voltage VDC	Operating Temperature	Total Error Band	Accuracy	Lifetime Drift	Port Style	Terminal
BPS170		Digital I ² C	Gauge, Differential	13 bit	-14.5 to 145 psi	4.75 to 5.5	-20 °C to +100 °C	±2.5 % FS	±0.2.5 % FS	±0.5 % FS	Single, Vertical	SMD

For full characteristics, see data sheet

PRODUCT DIMENSIONS



www.bourns.com

Americas: Tel +1-951 781-5500
Email americus@bourns.com

EMEA: Tel +36 88 885 877
Email eurocus@bourns.com

BOURNS®

Asia-Pacific: Tel +886-2 256 241 17
Email asiacus@bourns.com

Mexico: Tel +52 614 478 0400
Email mexicus@bourns.com