

# NEW PRODUCT BRIEF



## Bourns® SinglFuse™ SF-2923HC-C & SF-2923UC-C

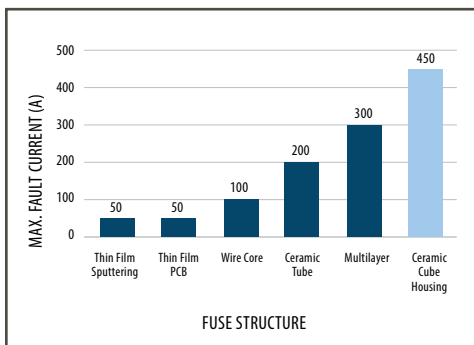
### HIGH CURRENT FUSES

#### INTRODUCTION

The new Bourns® SinglFuse™ SF-2923HC-C and SF-2923UC-C fuse families utilize a robust ceramic cube housing with silicone insulation and a single fuse-termination element, enabling the products to achieve higher inrush current withstand with greater reliability in harsh environments and safer fusing action when opening. Both model families are UL 248-14 listed and are intended for use in a variety of power applications where high current, high voltage, and high breaking capacity are required.

#### PRODUCT FIT

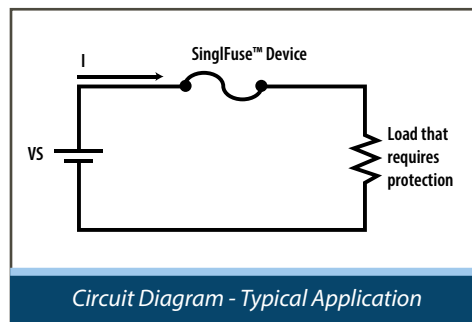
The specialized ceramic cube housing design of the SF-2923HC-C and SF-2923UC-C fuse families enables them to achieve maximum fault currents of 300 A at 60 VDC and 450 A at 80 VDC, respectively. This is higher than any other Bourns® SinglFuse™ model family at similar voltage levels, making both ceramic cube model families an ideal solution for applications requiring high breaking capacity with superior safety when opening.



#### FEATURES

- Single blow fuse for overcurrent protection
- Robust ceramic cube construction
- Silicone insulation
- Single fuse-termination element
- 20 A - 100 A current ratings
- 300 A @ 60 VDC (SF-2923HC-C) and 450 A @ 80 VDC (SF-2923UC-C) breaking capacity
- Rated operating temperature from -55 °C to 125 °C
- EIA 2923 surface mount footprint
- Tape & reel packaging for automated assembly
- UL 248-14 listed
- RoHS compliant\*
- Halogen free\*\*

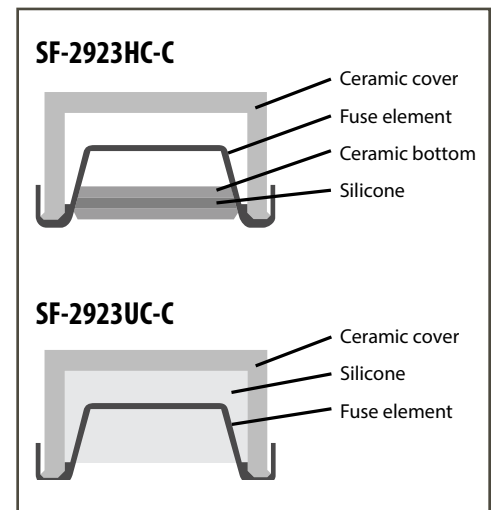
#### CIRCUIT DIAGRAMS



#### BENEFITS

- High current, high voltage, and high breaking capacity performance in a compact space-saving design
- High-power density compared to other models in similar or larger sizes
- Superior opening safety compared to traditional ceramic tube fuse structures
- Supported by Bourns' world-class technical support and global supply chain

#### BASIC CONSTRUCTION



\* RoHS3 Directive 2015/863 Amendments of Annex II on March 31, 2015.

\*\* Bourns considers a product to be "halogen free" if (a) the Bromine (Br) content is 900 ppm or less; (b) the Chlorine (Cl) content is 900 ppm or less; and (c) the total Bromine (Br) and Chlorine (Cl) content is 1500 ppm or less.



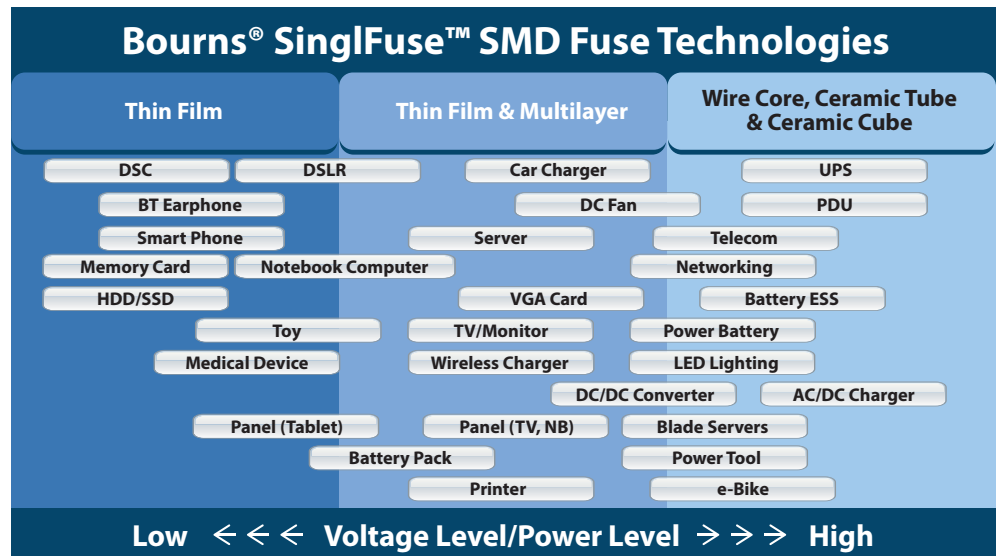
## Bourns® SinglFuse™ SF-2923HC-C & SF-2923UC-C

### HIGH CURRENT FUSES



#### APPLICATIONS

With the new SF-2923HC-C and SF-2923UC-C model families, Bourns continues to expand its SinglFuse™ product offering to address an increasing number of applications where high surge and high power capabilities are required. These products are well suited for battery management, power systems and data center applications. Typical applications include, but are not limited to:

- Power Tools
- Electric Assist Bicycles
- Battery Energy Storage Systems (BESS)
- Blade Servers
- Uninterruptible Power Supplies (UPS)
- Power Distribution Units (PDUs)



#### PRODUCT CHARACTERISTICS

Series	Photo	Fusing Time	Rated Current	Rated Voltage	Breaking Capacity	Resistance (Ω)	Typical I <sup>2</sup> t (A <sup>2</sup> s)	Operating Temperature
<a href="#">SF-2923HC-C</a>		60 sec @ 250 % I <sub>r</sub>	20 A – 50 A	60 VDC	300 A @ 60 VDC	0.0007 – 0.002	108 - 1750	-55 °C to 125 °C
<a href="#">SF-2923UC-C</a>		60 sec @ 250 % I <sub>r</sub>	20 A – 100 A	80 VDC	450 A @ 80 VDC	0.0004 – 0.002	108 - 7560	-55 °C to 125 °C



Americas: Tel +1-951 781-5500  
Email [americus@bourns.com](mailto:americus@bourns.com)

EMEA: Tel +36 88 520 390  
Email [eurocus@bourns.com](mailto:eurocus@bourns.com)

Asia-Pacific: Tel +886-2 256 241 17  
Email [asiacus@bourns.com](mailto:asiacus@bourns.com)

[www.bourns.com](http://www.bourns.com)

COPYRIGHT © 2018 • BOURNS, INC. • 12/18 • 1M/SF1825  
"Bourns" is a registered trademark of Bourns, Inc. in the U.S. and other countries.  
"SinglFuse" is a trademark of Bourns, Inc. in the U.S. and other countries.