



NEW PRODUCT BRIEF

Bourns® Model SW Mini-breaker Thermal Cutoff Device

INTRODUCTION

The introduction of the Bourns® Model SW Mini-breaker adds to the Company's smallest SMD footprint overtemperature protection offering. Complementing Bourns' latest Model SC Series, this new model will expand into a device series. The initial Model SW70AAB, the 70 °C version, delivers numerous important competitive features:

- Bourns' smallest mini-breaker footprint at 4.7 mm x 2.8 mm
- Height of just 0.94 mm ±0.05 mm
- Automatically resettable
- Does not need the traditional self-holding CPTC heater
- Surface mount package helps to save space and cost

ADDITIONAL FEATURES

- Trip temperature 70 °C.
- High trip temperature accuracy of ±5 °C
- Highly repeatable with ratings of up to 6,000 cycles
- Very low resistance values of just 5 mΩ max.
- RoHS compliant*

BENEFITS

- Higher temperature protection
- More precise overtemperature protection compared to traditional NTC thermistor solutions
- Its independent reaction to ambient temperature means the mini-breaker does not require additional components
- Elevated peak voltage support necessary for wireless charging coils
- Non-self-hold function enables it to protect low current applications such as LEDs
- Resettable protection means the circuit is not disabled by nuisance events
- Surface mount package helps lower production costs
- Small package size allows device to be used in locations where traditional large bimetal-based protectors have proven too bulky

PRODUCT FIT

These features make the Model SW Mini-breaker ideally suited to act as an independent temperature sensor or to provide overtemperature protection in low current applications.

APPLICATIONS

The very small size of the Model SW Mini-breaker and its automatic reset feature makes it particularly well-suited to provide effective and precise overtemperature protection for:

- Wireless charging coils
- LED lighting
- Cosmetic and low/medium risk** medical diagnostic equipment heaters

HOW TO ORDER

Series Designator	_____	SW 70 A A B
Trip Temperature (±5 °C)	_____	70 = 70 °C
Arm Material	_____	A = Cu alloy, high current type
Body Material	_____	A = PPS
Body Thickness	_____	B = 0.94 ±0.05 mm

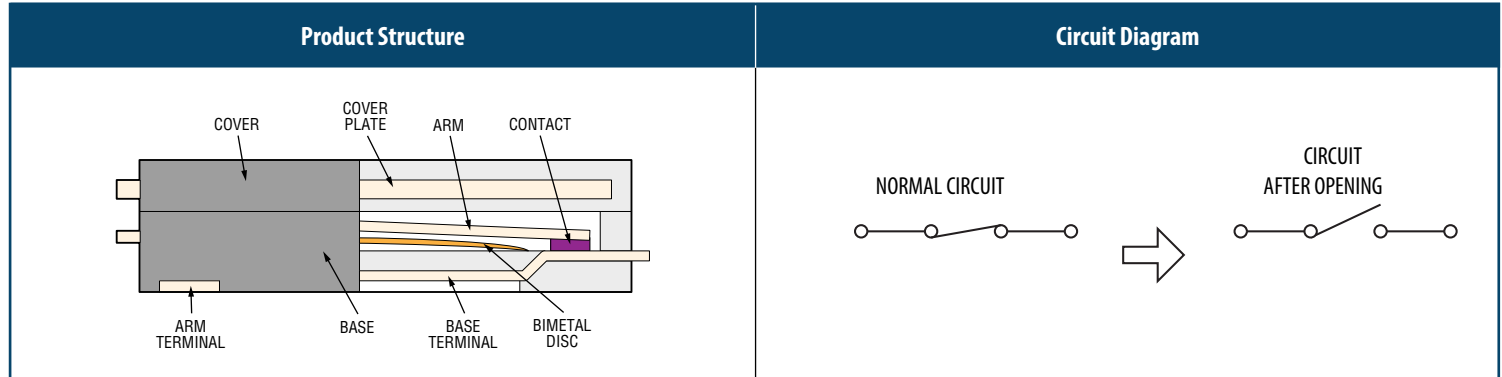
*RoHS Directive 2015/863, Mar 31, 2015 and Annex.

**Bourns® products have not been designed for and are not intended for use in "lifesaving," "life-critical" or "life-sustaining" applications nor any other applications where failure or malfunction of the Bourns® product may result in personal injury or death. See Legal Disclaimer Notice: www.bourns.com/docs/legal/disclaimer.pdf

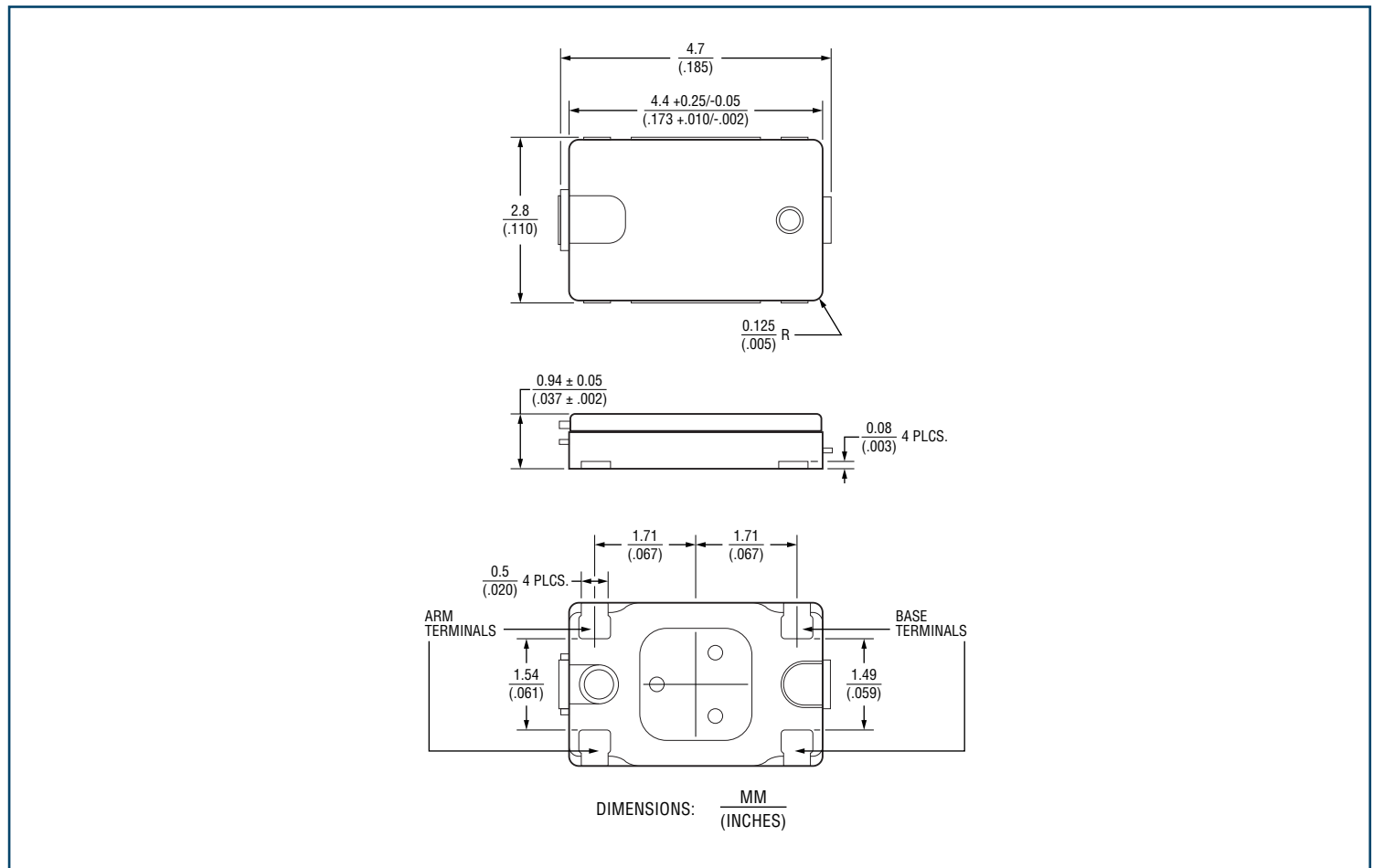


Bourns® Model SW Mini-breaker Thermal Cutoff Device

PRODUCT OVERVIEW



PRODUCT DIMENSIONS



www.bourns.com

Americas: Tel +1-951 781-5500
Email americus@bourns.com

EMEA: Tel +36 88 885 877
Email eurocus@bourns.com

BOURNS®

Asia-Pacific: Tel +886-2 256 241 17
Email asiacus@bourns.com

COPYRIGHT © 2023 • BOURNS, INC. • 11/23 • e/KLM2315
"Bourns" is a registered trademark of Bourns, Inc. in the U.S. and other countries.