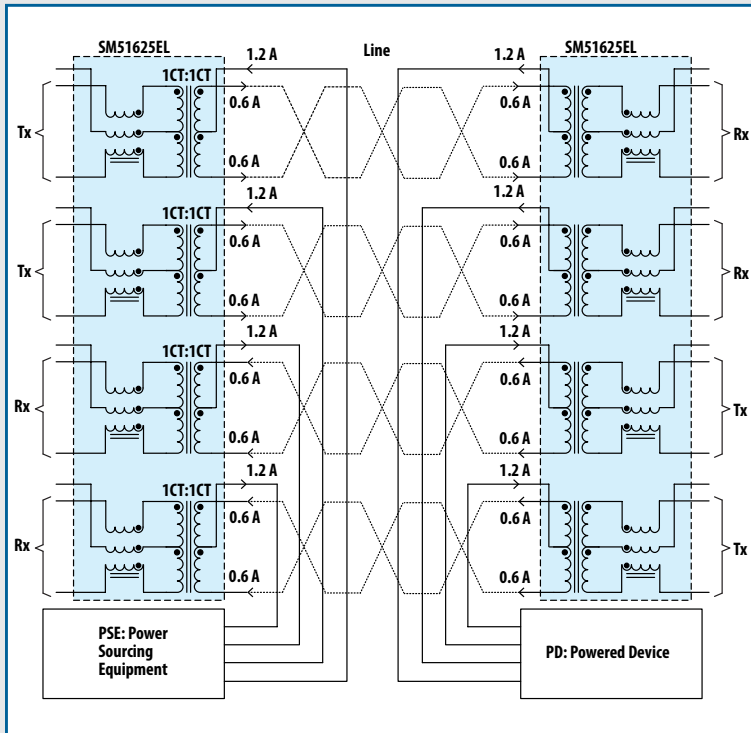


# BOURNS® TEL-NOTES

Mobile Broadband Power Supplies



## EXPOSED POWER OVER ETHERNET (PoE) Circuit Conditioning



\*The Bourns® model SM51625EL transformer is built to meet IEEE 802.3 specification, by fitting in the specified limits defined in the Clause 40.8.3 for Medium Dependent Interface (MDI) of the IEEE 802.3-2012, thus helps ensure an application's compliance to IEEE 802.3-2012.

The schematic shown here illustrates the conditioning of the application and does not constitute the complete circuit design. Customers should verify actual device performance in their specific applications.

### Product



SM51625EL

### Objective

Introduction of a high current PoE transformer, enabling higher power applications for outdoor PoE applications

### Solution

High current transformer:

- SM51625EL

### Compliance\*

IEEE802.3

### Features & Benefits

This solution enables high power delivery over Ethernet cables without impacting signal integrity

[www.bourns.com](http://www.bourns.com)

# BOURNS®

Americas: Tel +1-951-781-5500  
Email [americus@bourns.com](mailto:americus@bourns.com)

EMEA: Tel +36 88 520 390  
Email [eurocus@bourns.com](mailto:eurocus@bourns.com)

Asia-Pacific: Tel +886-2 256 241 17  
Email [asiacus@bourns.com](mailto:asiacus@bourns.com)

COPYRIGHT© 2018 - BOURNS, INC. - 04/18 - PSG - e/K1821

\*Bourns® is a registered trademarks of Bourns, Inc. in the U.S. and other countries.